

Description

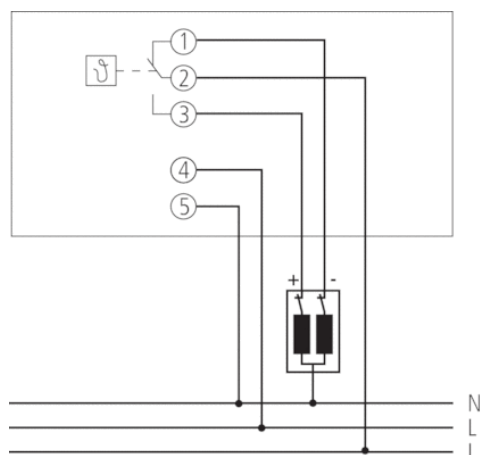


- Analogue clock thermostat with a low profile design for time-dependent monitoring and control of room temperature
- Mains version
- Tappet program disc with daily or weekly program
- Synchronous motor drive
- Normal and reduced temperature can be set separately
- Electronic temperature control
- Operating point and electronic recirculation are set from the front
- Party switch and program display
- Electronic temperature control
- Selector switch for operating mode: continuous reduced temperature, continuous normal temperature, automatic mode, frost and plant protection +6 °C

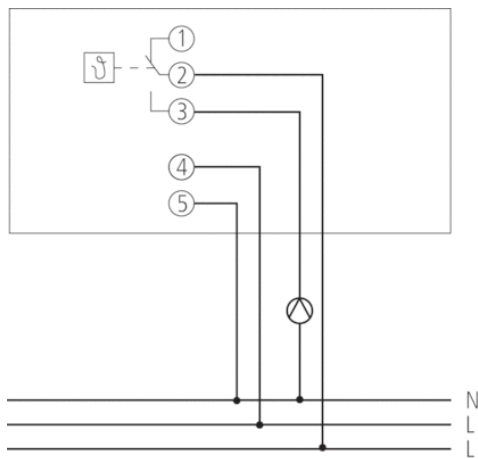
Technical data

Operating voltage	230 V AC
Frequency	50 Hz
Type of contact	Changeover contact
Installation type	Wall installation
Program	Daily/weekly program
Switching capacity	6 A (at 250 V AC, $\cos \varphi = 1$), 1 A (at 250 V AC, $\cos \varphi = 0.6$)
Switching differential	0,4 – 1,2 K
Test approval	VDE
Switching output	Potential-free, not for SELV
Suitable for SELV	No
Setting range temperature	+10 °C ... +30 °C
Shortest switching times	20 min, 120 min
Programmable every	5 min, 30 min
Time accuracy at 25 °C	Synchronised with mains
Stand-by consumption	~1,3 W
Colour	White
Type of protection	IP 20
Protection class	II according to EN 60 730-1

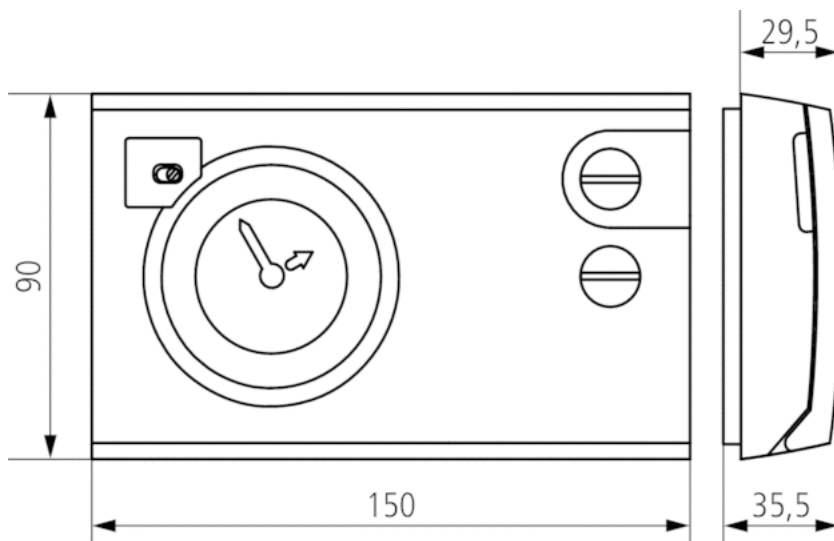
Connection example



Article number: 7220030



Scale drawings



Accessories

Actuator ALPHA 5 230 V

- Article number: 9070441
Details ▶ www.theben.de



Actuator ALPHA 5 24 V

- Article number: 9070442
Details ▶ www.theben.de



Adapter RAMSES 72x/78x

- Article number: 9070245
Details ▶ www.theben.de

