

## Description

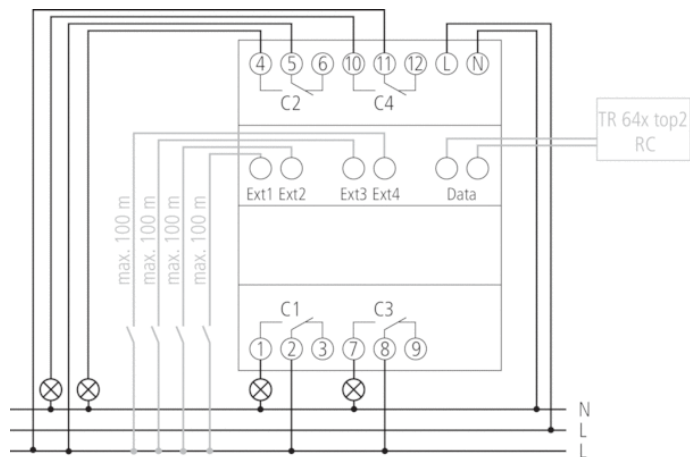


- Extension module for TR 641 top2 RC, TR 642 top2 RC and TR 644 top2 RC
- 4 channels
- Width: 4 modules
- DuoFix spring terminals
- 4 external inputs
- Switching preselection
- Permanent ON/OFF switching
- 4 LEDs for displaying switching status
- Zero-cross switching for relay-saving switching and high lamp loads

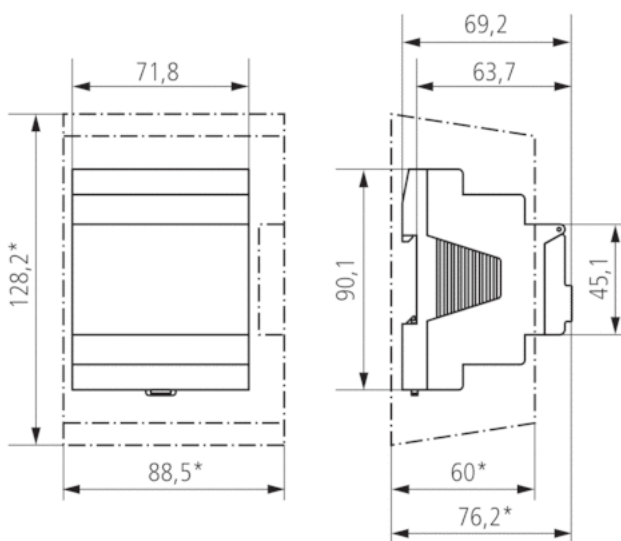
## Technical data

Operating voltage	110 – 240 V AC
Frequency	50 – 60 Hz
Width	4 modules
Installation type	DIN rail
Type of contact	Two-way switch
Switching output	Phase-independent
Opening width	< 3 mm
Program	Yearly program
Number of channels	4
External inputs	4
Switching capacity at 250 V AC, $\cos \varphi = 1$	16 A
Switching capacity channels 1+3	10 A
Switching capacity at 250 V AC, $\cos \varphi = 0,6$	10 A
Incandescent/halogen lamp load 230 V	2300 W
Incandescent/halogen lamp load 120 V	1150 W
Energy saving lamps 230 V	22 x 7 W, 18 x 11 W
Energy saving lamps 120 V	11 x 7 W, 9 x 11 W
Switching capacity min.	ca. 10 mA
Stand-by consumption	~1,5 W
Capacity loss max.	4,8 W
Memory card supplied	–
Type of connection	DuoFix spring terminals
Keyboards	4 buttons for manual switching
Housing and insulation material	High-temperature resistant, self-extinguishing thermoplastic
Type of protection	IP 20
Protection class	II according to EN 60 730-1
Ambient temperature	-30 °C ... +55 °C

### Connection example



### Scale drawings



### Accessories

#### Wall mounting kit 70 mm

- Article number: 9070049  
Details ▶ [www.theben.de](http://www.theben.de)



#### Front panel kit

- Article number: 9070001  
Details ▶ [www.theben.de](http://www.theben.de)

