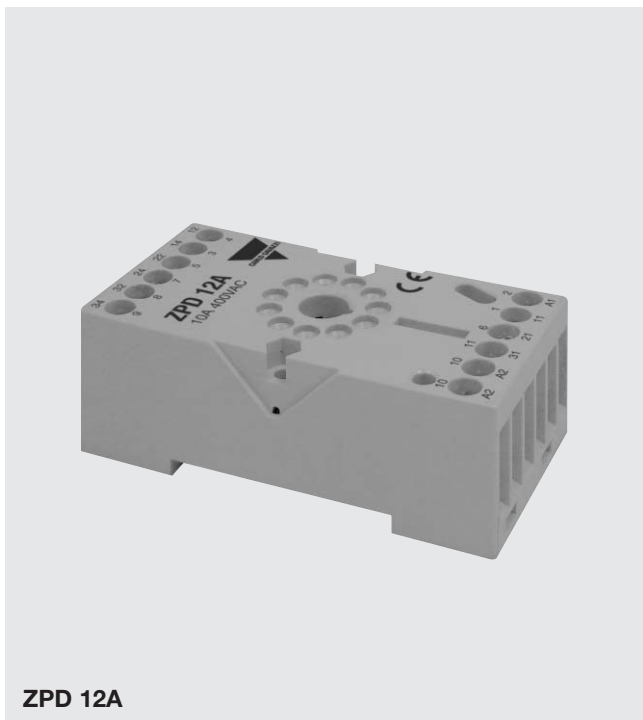
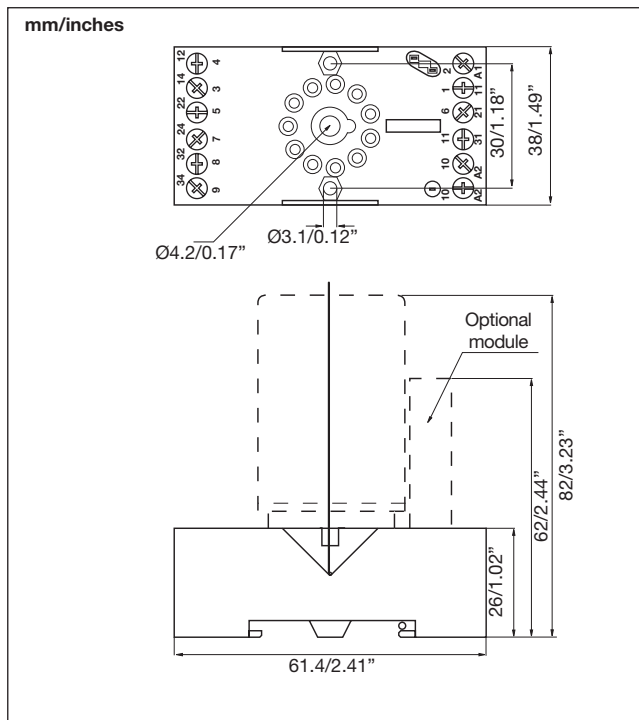


Sockets for RCP relays

ZPD 12A



ZPD 12A



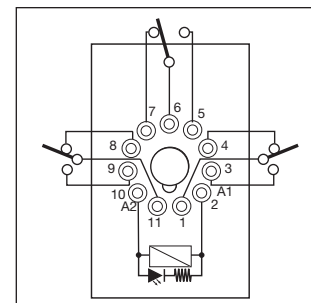
General data

Rated voltage	400VAC
Rated current	10A
Insulation voltage	> 3kV
Protection degree	IP 20
Operating temperature range	-25° to +70°C (-13° to +158°F)
Socket material	PA66+GF (V0)
Socket colour	RAL 7035 / Pantone 1C
Terminal type	Screw cage
Screw type	M3 with combi head (slotted, Philips Gr.1, Pozi)
Maximum screw torque	1N/m
Max Wire section	
Flex / compact wire	2 x 2.5mm ² (14AWG)
Cable End	2 x 1.5mm ² (16AWG)
Contacts material	Nikel plated - CuZn33

Terminal type



Wiring diagram



Approvals



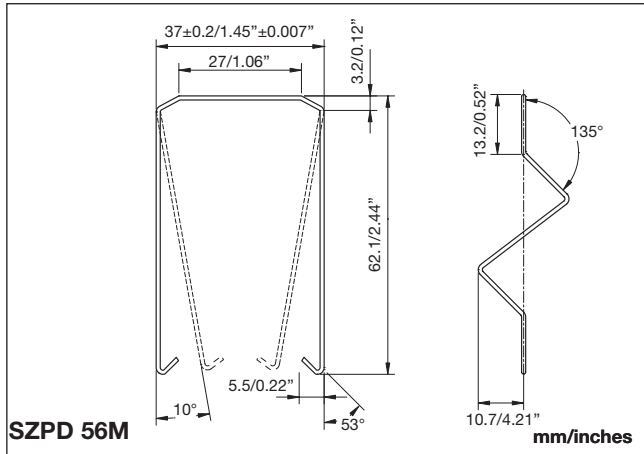
Ordering part number	ZPD12A
Box content:	10 sockets
Box size: (W 152 x D 155 x H 50) mm	Weight: 780g
(W 5.98 x D 6.10 x H 1.97) inches	Weight: 27.51oz

Optional Accessories (to be ordered separately if required)

Hold-down spring steel	SZPD56M
Modules	

Optional Springs for ZPD series

SZPD 56M



General data

Spring material

Stainless steel

Packaging

Box content:

1 plastic bag, 10pcs.

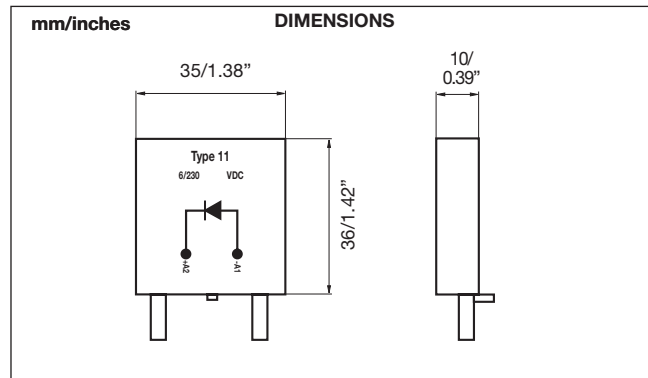
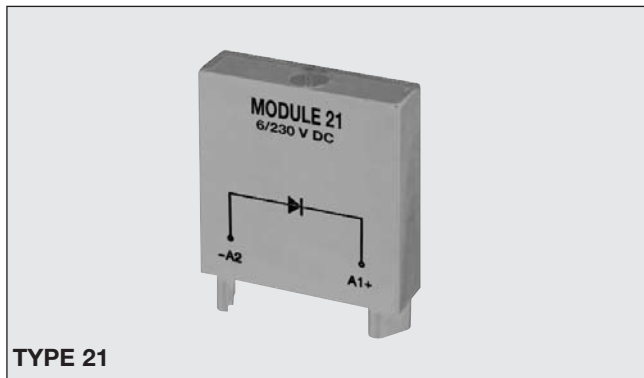
Weight:

~10g (0.36oz)



Optional Function Modules

Modules for ZPD sockets



Approvals



European low-voltage
directive compliant



General data

Module material

PA66+GF (V0)

Module colour

RAL 7035 / Pantone 1C

Packaging

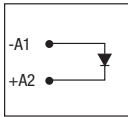
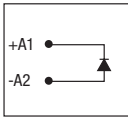
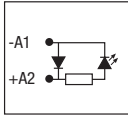
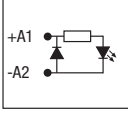
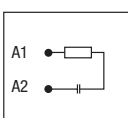
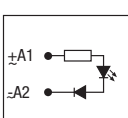
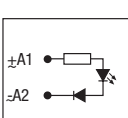
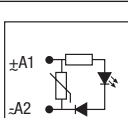
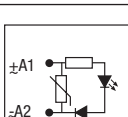
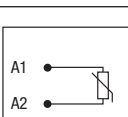
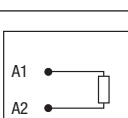
Box content:

1 bag, 20pcs

Weight:

~150g (5.29oz)

Types and electrical configurations

Diagram	Type	Description	Operating voltage	LED Colour	Ordering code		Notes	
					ZMI, ZD, ZDM Sockets	ZPD9, ZPD11		
	12	Free wheeling diode A2 +	6 / 230VDC	n.a.	MODULE12	MODULE11		
	22	Free wheeling diode A1 +	6 / 230VDC	n.a.	MODULE22	MODULE21		
	32	Free wheeling diode A2 +, with LED	6 / 24VDC	Red	MODULE32	n.a.		Only for DC relays
			24 / 60VDC		MODULE32B			
			110 / 230VDC		MODULE32C			
			6 / 24VDC	Green**	<i>MODULE32/G</i>			
			24 / 60VDC		<i>MODULE32B/G</i>			
			110 / 230VDC		<i>MODULE32C/G</i>			
	42	Free wheeling diode A1 +, with LED	6 / 24VDC	Red	MODULE42	n.a.		
			24 / 60VDC		MODULE42B			
			110 / 230VDC		MODULE42C			
			6 / 24VDC	Green**	<i>MODULE42/G</i>			
			24 / 60VDC		<i>MODULE42B/G</i>			
			110 / 230VDC		<i>MODULE42C/G</i>			
	52	RC Filter	110/240VAC	n.a.	MODULE52	MODULE51	Only for AC relays	
		RC Filter	6 / 24VAC		MODULE52B	MODULE51B		
		RC Filter	24 / 60VAC		MODULE52D	MODULE51D		
	62	Signalling LED	6 / 24V	Red	MODULE62	n.a.	Can work with AC and DC Relays	
			24 / 60V		MODULE62E			
			110 / 230V		MODULE92			
	62	Signalling LED	6 / 24V	Green**	<i>MODULE62/G</i>	n.a.		
			24 / 60V		<i>MODULE62E/G</i>			
			110 / 230V		<i>MODULE92/G</i>			
	62	Signalling LED, with Varistor	6 / 24V	Red	MODULE62C	n.a.		
			24 / 60V		MODULE62D			
			110 / 230V		MODULE92C			
	62	Signalling LED, with Varistor	6 / 24V	Green**	<i>MODULE62C/G</i>	n.a.		
			24 / 60V		<i>MODULE62D/G</i>			
			110 / 230V		<i>MODULE92C/G</i>			
	72	Varistor	6 / 24VAC	n.a.	MODULE72	MODULE71		
			115VAC		MODULE72A	MODULE71A		
			230VAC		MODULE82	MODULE81		
	102	Resistor	110 / 230VAC	n.a.	MODULE102	n.a.		

** Non standard devices normally not in stock and production upon request

Specifications are subject to change without notice. Pictures are just an example. For special features and/or customization, please ask to our sales network. 160210